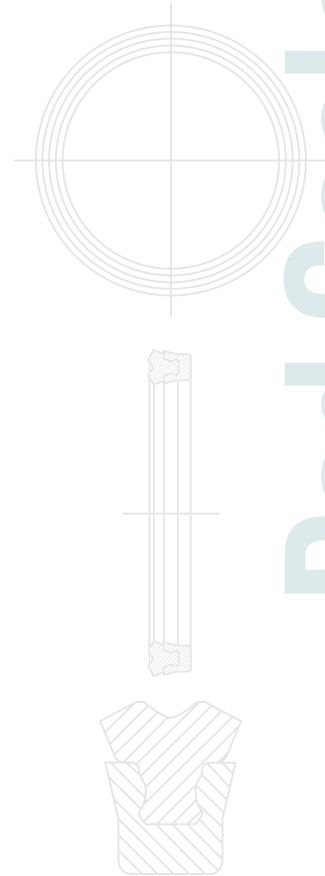


O-Rings & Kits
Wipers
Compounds
Custom Parts
Specialty Parts
Services
Wear Guides
Piston Seals

QUALITY | VALUE | SERVICE

Rod Seals

Rod Seals





Nothing gets past our seals!

There's no room for compromise if your business relies on lasting, consistent quality seals. RT Dygert is an industry leader in meeting the demanding requirements of Original Equipment Manufacturers in the areas of fluid power, chemical processing, agricultural, food & beverage, plumbing and other markets for seals and related custom parts.

Our standards are unsurpassed. We source our seals from respected domestic and international companies renowned for their quality and engineering programs. We stock both standard and custom parts for our customers, assuring you a constant supply to meet your exact demands.

RT Dygert also provides extensive value-added services, including JIT/Kanban programs, pre-production and MRO kitting, special marking and packaging options and more. Call us about your special needs.

For specific material recommendations, please refer to our compounds brochure. For additional information, contact our responsive customer service department at 1.866.RTD.8883.

ROD SEALS

ASSYMETRICAL UNLOADED U-CUP



PRESSURE
6,000 PSI

TEMPERATURE RANGE
-50° – +250° F

VELOCITY
3.2 feet/sec

MATERIALS
Urethane
Hytrel™

FEATURES
Pressure energized seal
Back beveled lip
Bump heel
Film breaking

APPLICATIONS
Mobile hydraulic
Agricultural
General industrial

BEVELED LOADED U-CUP



PRESSURE
6,000 PSI

TEMPERATURE RANGE
-50° – +250° F

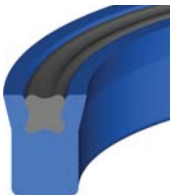
VELOCITY
3.2 feet/sec

MATERIALS
Urethane
Hytrel™
Nitrile
Viton®

FEATURES
Energized seal
Back beveled lip
Film breaking

APPLICATIONS
Mobile hydraulic
Agricultural
General industrial
Medium duty cycle

DEEP LOADED U-CUP



PRESSURE
6,000 PSI

TEMPERATURE RANGE
-50° – +250° F

VELOCITY
3.2 feet/sec

MATERIALS
Urethane
Hytrel™
Nitrile
Viton®

FEATURES
Energized seal
Improved extrusion resistance
Improved stability

APPLICATIONS
Mobile hydraulic
Agricultural
General industrial
High duty cycle

DOUBLE LIP U-CUP



PRESSURE
6,000 PSI

TEMPERATURE RANGE
-50° – +250° F

VELOCITY
3.2 feet/sec

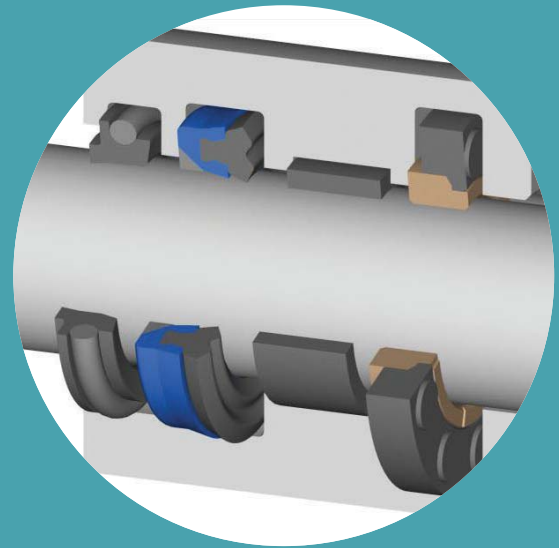
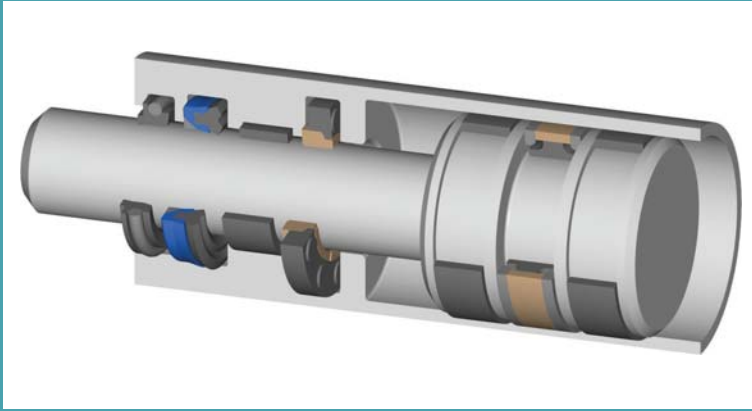
MATERIALS
Urethane
Hytrel™
Nitrile*
Viton®*
HNBR
Low-temp nitrile*
Carboxylate nitrile*

FEATURES
Low compression set
Secondary lip
Extrusion resistant base
Low-temp sealing

APPLICATIONS
Heavy duty
Mobile hydraulic
Telescopic cylinder
High duty cycle

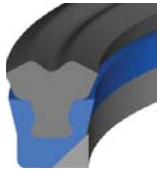
*Lip material





QUALITY | VALUE | SERVICE

DOUBLE LIP U-CUP WITH ANTI-EXTRUSION RING



PRESSURE
10,000 PSI

TEMPERATURE RANGE
-50° – +250° F

VELOCITY
3.2 feet/sec

MATERIALS
Urethane
Hytrel™
Nitrile*
Viton®**
HNBR
Low-temp nitrile*
Carboxylate nitrile*

FEATURES
Low compression set
Secondary lip
Anti extrusion ring
Extrusion resistant base
Low-temp sealing

APPLICATIONS
Heavy duty
Mobile hydraulic
High pressure
High duty cycle
Pressure spikes
Large extrusion gaps

*Lip material

SPRING ENERGIZED



PRESSURE
10,000 PSI

TEMPERATURE RANGE
-450° – +550° F

VELOCITY
3.2 feet/sec

MATERIALS
UHMWPE
PTFE
PEEK
S/S spring

FEATURES
Low compression set
Secondary lip
Low-temp sealing
Low friction
Widest P/T range
Custom design

APPLICATIONS
Petro-chemical
Low friction
Extreme temperatures
Corrosive fluids
High duty cycle

STANDARD BUFFER



PRESSURE
6,000 PSI

TEMPERATURE RANGE
-50° – +250° F

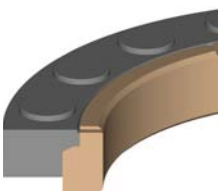
VELOCITY
3.2 feet/sec

MATERIALS
Filled PTFE
Nitrile

FEATURES
Protects rod seal from pressure spikes
Lower friction, longer life
Vents back pressure

APPLICATIONS
Any application requiring secondary sealing to reduce effects of pressure spikes
Medium duty cycle

PREMIUM BUFFER



PRESSURE
10,000 PSI

TEMPERATURE RANGE
-50° – +250° F

VELOCITY
3.2 feet/sec

MATERIALS
Filled PTFE
Nitrile

FEATURES
Protects rod seal from pressure spikes
Lower friction, longer life
Vents back pressure

APPLICATIONS
Any application requiring secondary sealing to reduce effects of pressure spikes
High duty cycle
Large rod size

NOTE: Capabilities shown in this brochure are directly related to design tolerances. Please consult with RT Dygert for your specific application.

Rod Seals

sales@rtdygert.com • www.rtdygert.com

MINNEAPOLIS
12121 Nicollet Avenue S.
Burnsville, MN 55337
952.835.1700 PHONE
866.783.8883 TOLL FREE
952.835.1701 FAX

CHICAGO
2700 S. River Road, Suite 116
Des Plaines, IL 60018
847.675.1444 PHONE
800.423.9272 TOLL FREE
847.675.8889 FAX

SEATTLE
3902 W. Valley Hwy N., Suite 200
Auburn, WA 98001
253.218.0123 PHONE
877.796.0123 TOLL FREE
253.218.0121 FAX

© 2015, RT Dygert, Inc. Rev 1.15

LIMITED WARRANTY RT Dygert ("Seller") warrants that its products ("Goods") will perform in accordance with their specifications; that the goods will be free from manufacturing defects for a period of twelve (12) months from the date of delivery of the goods to Buyer; and that the goods will be as specified by Buyer in the purchase order. Seller should have the right to elect to either refund the purchase price for any defective goods or replace any defective goods, provided that the goods were used in the manner for which they were manufactured. Seller does not warrant that the goods are fit for any particular purpose. Seller should have no obligation to refund the purchase price or replace goods that are rendered defective by a Buyer or a third party after they leave Seller's place of shipment.

LIMITED LIABILITY Seller's liability for its goods is limited to their terms set forth in Seller's express warranty set for above, in no event shall Seller's liability exceed the total purchase order price. Seller is not assuming any liability for any indirect, collateral, special, incidental or consequential losses or damages suffered by Buyer, or by any end-user or other third party, including but not limited to, lost profits, loss of business reputation and/or lost business opportunity, for any possible cause of action or claim arising out of or related to the goods sold to Buyer, even if Seller has been advised of the possibility of such loss or damage.

