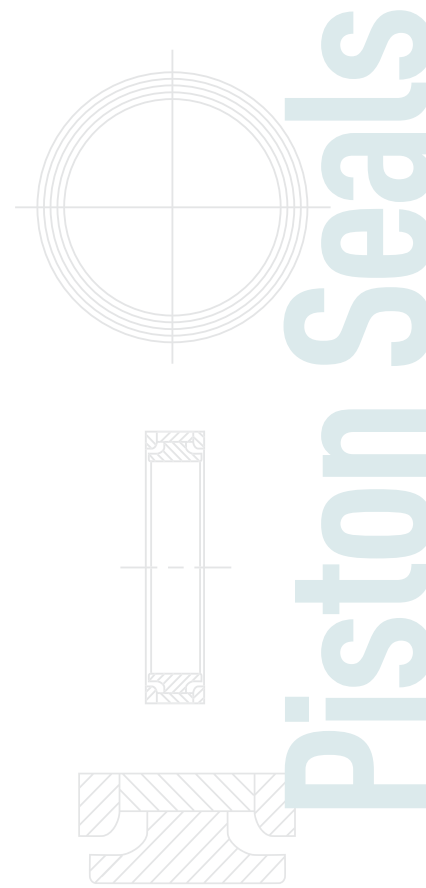


O-Rings & Kits  
Wipers  
Compounds  
Custom Parts  
Specialty Parts  
Services  
Wear Guides  
Rod Seals

QUALITY | VALUE | SERVICE

# Piston Seals



Piston Seals

# Five decades of perfect fits.



You may be in a business with large manufacturing systems, but it can all come down to the quality of a little thing like a seal. In our business, seals are the biggest deal.

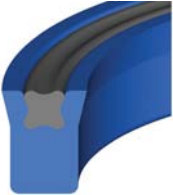



We've built a five decade reputation for precision, reliability and service, and our dedicated Original Equipment Manufacturers have made RT Dygert an industry leader in fluid power, chemical processing, agricultural, food & beverage, plumbing and numerous other markets.

We're as demanding of our supplies as you are of yours. We source our products from around the world, and we've developed exceptionally strong relationships with a diverse supplier roster.

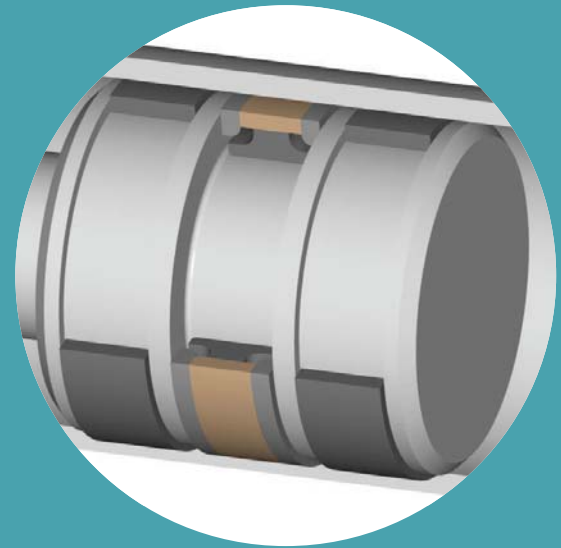
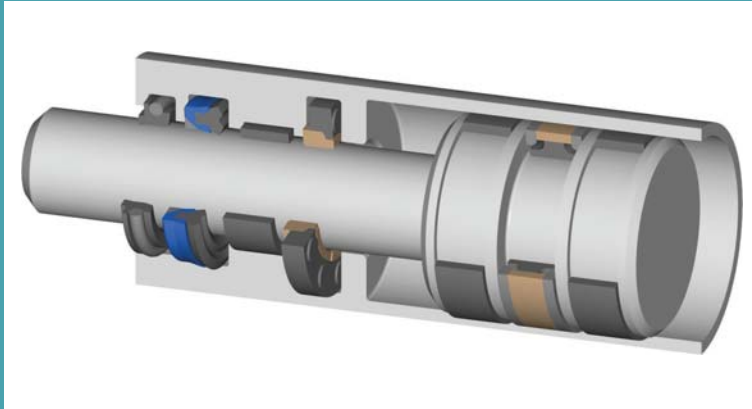
Custom needs? We can help you with engineering, prototyping, testing and industry certification, no matter how challenging your project. Our one-stop efficiencies also include JIT/Kanban programs, pre-production and kitting, special marking and packaging options and more.

For more information, quick quotations, expert consultation and responsive customer service call us at 1.866.RTD.8883.

## PISTON SEALS

<p><b>LOADED U-CUP</b></p> 	<p><b>PRESSURE</b> 6,000 PSI</p> <p><b>TEMPERATURE RANGE</b> -50° – +250° F</p> <p><b>VELOCITY</b> 3.2 feet/sec</p>	<p><b>MATERIALS</b> Urethane HP Urethane Hytrel™ Nitrile Viton® EPDM</p>	<p><b>FEATURES</b> Rectangular seal Scraper lip</p>	<p><b>APPLICATIONS</b> Mobile hydraulic Agricultural General industrial Low pressure sealing</p>
<p><b>ASSYMETRICAL UNLOADED U-CUP</b></p> 	<p><b>PRESSURE</b> 5,000 PSI</p> <p><b>TEMPERATURE RANGE</b> -50° – +250° F</p> <p><b>VELOCITY</b> .07 feet/sec</p>	<p><b>MATERIALS</b> Urethane HP Urethane Hytrel™ Nitrile Viton® EPDM</p>	<p><b>FEATURES</b> Improved seal stability Improved wear resistance</p>	<p><b>APPLICATIONS</b> Agricultural General industrial</p>
<p><b>PTFE</b></p> 	<p><b>PRESSURE</b> 5,000 PSI</p> <p><b>TEMPERATURE RANGE</b> -65° – +400° F</p> <p><b>VELOCITY</b> 3.2 feet/sec</p>	<p><b>MATERIALS</b> Glass filled PTFE Moly PTFE Carbon Graphite PTFE Bronze PTFE</p>	<p><b>FEATURES</b> Low friction Long service life</p>	<p><b>APPLICATIONS</b> Mobile hydraulic Agricultural General industrial Heavy duty</p>
<p><b>T-SEAL</b></p> 	<p><b>PRESSURE</b> 5,000 PSI</p> <p><b>TEMPERATURE RANGE</b> 65° – +400° F</p> <p><b>VELOCITY</b> 0.4 feet/sec</p>	<p><b>MATERIALS</b> Nitrile Viton® EPDM HNBR Backup: Nylon Backup: PTFE Backup: PEEK</p>	<p><b>FEATURES</b> Square seal for stability Low pressure sealing Anti extrusion rings Dynamic sealing surface</p>	<p><b>APPLICATIONS</b> Retrofit standard industrial O-Ring grooves Limited axial length Wide base available</p>





QUALITY | VALUE | SERVICE

<b>O-RING LOADED PISTON SEAL</b>	<b>PRESSURE</b> 5,000 PSI	<b>MATERIALS</b> Urethane HP Urethane Hyrel™	<b>FEATURES</b> Square seal Back beveled lip Energized seal Retrofit Mil-G-5514F O-Ring grooves Low pressure seal ability	<b>APPLICATIONS</b> Mobile hydraulic Agricultural Heavy duty Vacuum High pressure Bi-directional sealing Heavy duty hydraulic
	<b>TEMPERATURE RANGE</b> -50° – +250° F			
	<b>VELOCITY</b> 0.3 feet/sec			
<b>URETHANE PISTON SEAL</b>	<b>PRESSURE</b> 6,000 PSI	<b>MATERIALS</b> Urethane	<b>FEATURES</b> Bi-directional sealing Grooves prevent blow-by Energized seal	<b>APPLICATIONS</b> Earthmoving equipment Forklift Agricultural equipment Stabilizer Standard hydraulic cylinders Cranes Presses
	<b>TEMPERATURE RANGE</b> -65° – +250° F			
	<b>VELOCITY</b> 0.7 feet/sec			
<b>CAPPED T-SEAL</b>	<b>PRESSURE</b> 10,000 PSI	<b>MATERIALS</b> Nitrile Viton® EPDM HNBR Backup: Nylon Backup: Delrin Cap: PTFE Cap: filled PTFE	<b>FEATURES</b> Low pressure sealing Long life Low friction Anti extrusion rings Dynamic sealing surface	<b>APPLICATIONS</b> Mobile hydraulic Heavy duty
	<b>TEMPERATURE RANGE</b> -65° – +400° F			
	<b>VELOCITY</b> 3.2 feet/sec			
<b>GROOVED PISTON SEAL</b>	<b>PRESSURE</b> 5,000 PSI	<b>MATERIALS</b> Nitrile Viton® Bronze PTFE Glass/Moly PTFE Graphite PTFE Carbon Graphite PTFE	<b>FEATURES</b> Bi-directional sealing Grooves prevent blow-by Energized seal	<b>APPLICATIONS</b> Piston accumulators Medium duty hydraulic cylinders General purpose High temperature High pressure Low speed rotary
	<b>TEMPERATURE RANGE</b> -65° – +400° F			
	<b>VELOCITY</b> 0.7 feet/sec			

**NOTE:** Capabilities shown in this brochure are directly related to design tolerances. Please consult with RT Dygert for your specific application.

Piston Seals

[sales@rtdygert.com](mailto:sales@rtdygert.com) • [www.rtdygert.com](http://www.rtdygert.com)

**MINNEAPOLIS**  
12121 Nicollet Avenue S.  
Burnsville, MN 55337  
952.835.1700 PHONE  
866.783.8883 TOLL FREE  
952.835.1701 FAX

**CHICAGO**  
2700 S. River Road, Suite 116  
Des Plaines, IL 60018  
847.675.1444 PHONE  
800.423.9272 TOLL FREE  
847.675.8889 FAX

**SEATTLE**  
3902 W. Valley Hwy N., Suite 200  
Auburn, WA 98001  
253.218.0123 PHONE  
877.796.0123 TOLL FREE  
253.218.0121 FAX

© 2015, RT Dygert, Inc. Rev 1.15

**LIMITED WARRANTY** RT Dygert ("Seller") warrants that its products ("Goods") will perform in accordance with their specifications; that the goods will be free from manufacturing defects for a period of twelve (12) months from the date of delivery of the goods to Buyer; and that the goods will be as specified by Buyer in the purchase order. Seller should have the right to elect to either refund the purchase price for any defective goods or replace any defective goods, provided that the goods were used in the manner for which they were manufactured. Seller does not warrant that the goods are fit for any particular purpose. Seller should have no obligation to refund the purchase price or replace goods that are rendered defective by a Buyer or a third party after they leave Seller's place of shipment.

**LIMITED LIABILITY** Seller's liability for its goods is limited to their terms set forth in Seller's express warranty set for above, in no event shall Seller's liability exceed the total purchase order price. Seller is not assuming any liability for any indirect, collateral, special, incidental or consequential losses or damages suffered by Buyer, or by any end-user or other third party, including but not limited to, lost profits, loss of business reputation and/or lost business opportunity, for any possible cause of action or claim arising out of or related to the goods sold to Buyer, even if Seller has been advised of the possibility of such loss or damage.

